

# Clipper

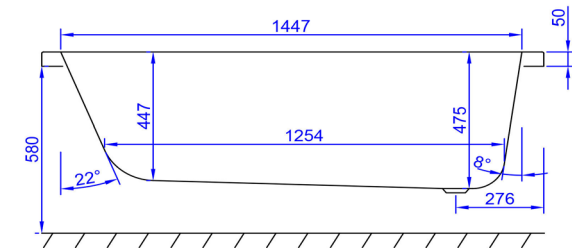
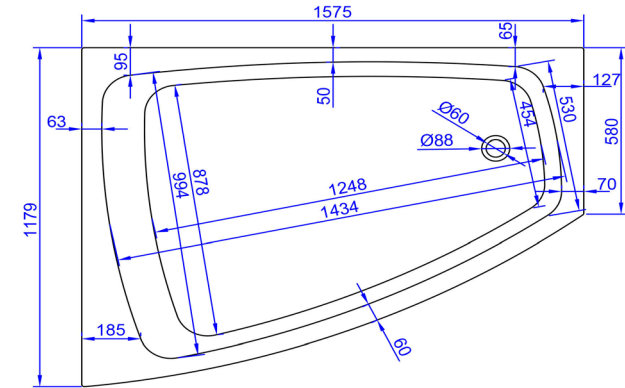
1575 x 1200



Right-hand model illustrated



## Technical Information



### Water Capacity

335 litres

### Installation Kit

Standard - AK-05-C

Carronite - AK-05-C

### Whirlpool Compatibility

Clenda Systems 1, 2, 3, 4, 5, 6

### Bath Codes

Clipper LH Standard	02476
Clipper LH Carronite	02475
Clipper RH Standard	02478
Clipper RH Carronite	02477

### Panel Code

Clipper L-Shaped Panel	02479
------------------------	-------

### Carron Bathrooms Limited

North Carron Works  
Stenhouse Road  
Falkirk, FK2 8UW

Email : [info@carronbathrooms.com](mailto:info@carronbathrooms.com)  
Web : [www.carronbathrooms.com](http://www.carronbathrooms.com)  
Tel : +44 (0)1324 638 407

  
THE NAME FOR BATHS