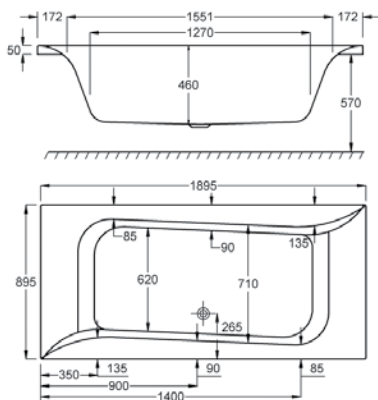


LINEA

L 1900MM

W 900MM

	5MM	CARRONITE
LINEA	✓	✓
FRONT PANEL 1900x570	✓	✓
END PANEL 900x570	✓	✓



Carronite



Panel



Whirlpool

WATER CAPACITY

345 LTR

This measurement is taken to the overflow

WHIRLPOOL COMPATIBLE

C-LENDA SYSTEMS

1, 2, 3, 4, 5, 6

KIT REFERENCES

STANDARD - AK-03

CARRONITE - AK-03-C