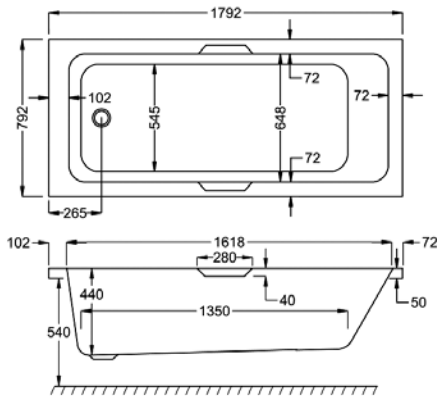


QUANTUM INTEGRA

		5MM	CARRONITE
L 1800MM	QUANTUM INTEGRA	✓	✓
W 800MM	L-SHAPED PANEL 1800x800x540	-	✓
	FRONT PANEL 1800x540	✓	✓
	END PANEL 800x540	✓	✓
	SCREEN CFS-1 (H=1400MM)	✓	✓
	SCREEN CFS-2 (H=1500MM)	✓	✓



Carronite



Panel

Hand
Grips

Whirlpool

WATER CAPACITY

285 LTR

This measurement is taken to the overflow

WHIRLPOOL COMPATIBLE

C-LENDA SYSTEMS

1, 2, 3, 4, 5, 6

KIT REFERENCES

STANDARD - AK-03

CARRONITE - AK-03-C