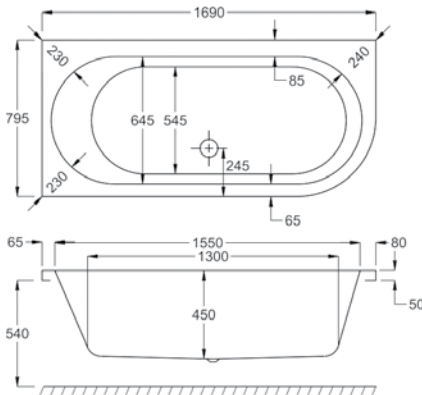


# STATUS

L 1700MM  
W 800MM

	5MM	CARRONITE
STATUS	✓	✓
STATUS FRONT PANEL 17.80	✓	✓
SCREEN CFS-1 (H=1400MM)	✓	✓
SCREEN CFS-2 (H=1500MM)	✓	✓



Left hand and right hand baths available.  
Right hand bath shown.



Carronite



Panel



Whirlpool

## WATER CAPACITY

250 LTR

This measurement is taken to the overflow

## WHIRLPOOL COMPATIBLE

C-LENDA SYSTEMS

1, 2, 3, 4, 5, 6

## KIT REFERENCES

STANDARD - AK-03

CARRONITE - AK-03-C